

hatcocorp.com

Register Online!
(see page 2)



Toast-Max[®]

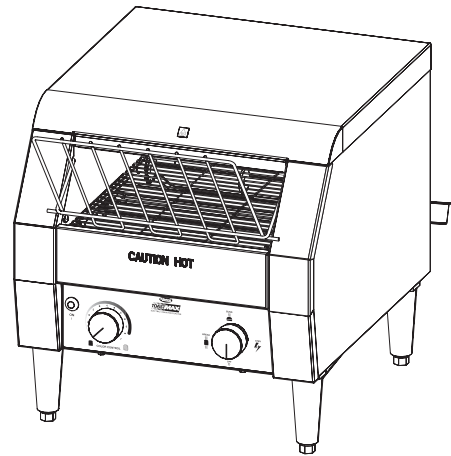
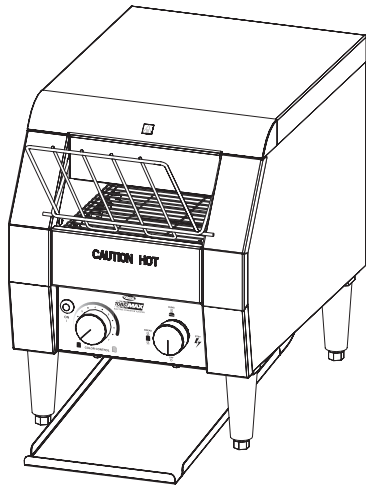
Electric Conveyor Toasters

烤面包机

TM-5, TM-5H, TM-10, and TM-10H Series/系列

Installation and Operating Manual

安装及操作手册



⚠ WARNING

Do not operate this equipment unless you have read and understood the contents of this manual! Failure to follow the instructions contained in this manual may result in serious injury or death. This manual contains important safety information concerning the maintenance, use, and operation of this product. If you're unable to understand the contents of this manual, please bring it to the attention of your supervisor. Keep this manual in a safe location for future reference.

English = p 2

⚠ 警告

请在 真阅读并理解本手册的内容后再操作本设备！不按照本手册中的说明操作可能会导致严重的人身伤亡事故。本手册中包含了有关本产品维护、使用和操作的重要安全事项。如果您不理解本手册的内容，请将本手册交给主管人员，以提请注意。请将本手册妥善放置，以便参照。

中文 = 第 11 页

Important Owner Information	2	Operation	7
Introduction	2	General.....	7
Important Safety Information	3	Maintenance	8
Model Description	4	General.....	8
Model Designation	4	Daily Cleaning	8
Specifications	5	Troubleshooting Guide	9
Plug Configurations	5	International Limited Warranty	10
Electrical Rating Chart.....	5	Service Information	10
Dimensions.....	5		
Installation	6		
General.....	6		
Front or Rear Discharge Installation.....	6		

IMPORTANT OWNER INFORMATION

Record the model number, serial number, voltage, and purchase date of the unit in the spaces below (specification label located on the back of the unit). Please have this information available when calling Hatco for service assistance.

Model No. _____

Serial No. _____

Voltage _____

Date of Purchase _____

Business Hours: 9:00 AM to 6:00 PM (Beijing Time)

Monday through Friday

Telephone: (0512) 6732-5091

E-mail: infocn@hatcocorp.com

Additional information can be found by visiting our web site at

www.hatcocorp.com

Register your unit!

Completing online warranty registration will prevent delay in obtaining warranty coverage. Access the Hatco website at www.hatcocorp.com, select the *Parts & Service* pull-down menu, and click on "Warranty Registration".

INTRODUCTION

The Hatco Toast-Max® Electric Conveyor Toaster is specially designed to accelerate the toasting operation. Products pass through a heating chamber for rapid and thorough toasting. Moisture and sugar content and thickness of bread product effect the ability to achieve the perfect toasted product. Utilizing conveyor speed, not temperature, to determine toasting color, allows for instant adjustment of toasting time.

Hatco toasters are built with quality to meet the demands of foodservice operations and provide years of trouble-free performance. The serpentine metal-sheathed tubular heating elements are guaranteed against breakage and burnout for two years.

The Hatco Toast-Max Electric Conveyor Toaster is a product of extensive research and field testing. The materials used were selected for maximum durability, attractive appearance, and optimum performance. Every unit is inspected and tested thoroughly prior to shipment.

This manual provides the installation, safety, and operating instructions for the Hatco Toast-Max Electric Conveyor Toaster. Hatco recommends all installation, operating, and safety instructions appearing in this manual be read prior to installation or operation of the unit.

Safety information that appears in this manual is identified by the following signal word panels:



WARNING indicates a hazardous situation which, if not avoided, could result in death or serious injury.



CAUTION indicates a hazardous situation which, if not avoided, could result in minor or moderate injury.



NOTICE is used to address practices not related to personal injury.



Read the following important safety information before using this equipment to avoid serious injury or death and to avoid damage to equipment or property.

WARNING

ELECTRIC SHOCK HAZARD:

- Plug unit into a properly grounded electrical receptacle of the correct voltage, size, and plug configuration. If plug and receptacle do not match, contact a qualified electrician to determine and install proper voltage and size electrical receptacle.
- Turn OFF power switch, unplug power cord, and allow unit to cool before performing any cleaning, adjustments, maintenance, or attempting to clear a jam.
- DO NOT submerge or saturate with water. Unit is not waterproof. Do not operate if unit has been submerged or saturated with water.
- Unit is not weatherproof. Locate unit indoors where ambient air temperature is a minimum of 21°C (70°F).
- Do not steam clean or use excessive water on unit.
- This unit is not “jet-proof” construction. Do not use jet-clean spray to clean this unit.
- Do not pull unit by power cord.
- Discontinue use if power cord is frayed or worn.
- Do not attempt to repair or replace a damaged power cord. Cord must be replaced by Hatco, an Authorized Hatco Service Agent, or a person with similar qualifications.
- This unit must be serviced by qualified personnel only. Service by unqualified personnel may lead to electric shock or burn.
- Do not clean unit when it is energized or hot.
- Do not allow liquids to spill into unit.
- Use only Genuine Hatco Replacement Parts when service is required. Failure to use Genuine Hatco Replacement Parts will void all warranties and may subject operators of the equipment to hazardous electrical voltage, resulting in electrical shock or burn. Genuine Hatco Replacement Parts are specified to operate safely in the environments in which they are used. Some aftermarket or generic replacement parts do not have the characteristics that will allow them to operate safely in Hatco equipment.

FIRE HAZARD:

- Locate unit a minimum of 25 mm (1”) from combustible walls and materials. If safe distances are not maintained, combustion or discoloration could occur.
- Do not place anything on top of toaster. Do not place toaster near or underneath curtains or other combustible materials. Items near or on top of toaster could catch fire causing injury and/or damage to the toaster.

WARNING

EXPLOSION HAZARD: Do not store or use gasoline or other flammable vapors or liquids in the vicinity of this or any other appliance.

In case of fire, disconnect toaster from power source immediately. This allows the unit to cool, making it easier and safer to put out the fire.

Do not operate this unit with an external timer or remote control system.

Make sure all operators have been instructed on the safe and proper use of the unit.

This unit is not intended for use by children or persons with reduced physical, sensory, or mental capabilities. Ensure proper supervision of children and keep them away from the unit.

This unit has no “user-serviceable” parts. If service is required on this unit, contact an Authorized Hatco Service Agent or contact Hatco at (0512) 6732-5091.

CAUTION

BURN HAZARD:

- Some exterior surfaces on unit will get hot. Use caution when touching these areas.
- Do not remove crumb tray for cleaning until toaster is cool.

Locate unit at the proper counter height in an area that is convenient for use. The location should be level to prevent the unit or its contents from falling accidentally and strong enough to support the weight of the unit and contents.

Always operate toaster with crumb tray installed.

Toasting of coated or buttered products such as garlic bread, cheese sandwiches, and sweet rolls is NOT recommended. Residue will reduce toaster performance and could ignite inside toaster. Using toaster with the food products listed above will void unit warranty.

NOTICE

Use non-abrasive cleaners only. Abrasive cleaners could scratch finish of unit, marring its appearance and making it susceptible to soil accumulation.

Do not locate unit in area with excessive air movement around unit. Avoid areas that may be subject to active air movements or currents (i.e., near exhaust fans/hoods, air conditioning ducts, and exterior doors).

Submerging or saturating unit with water will damage the unit and void unit warranty.

Do not lay unit on the side with the control panel. Damage to the unit could occur.

This unit is intended for commercial use only — NOT for household use.

MODEL DESCRIPTION

All Models

All Toast-Max® Electric Conveyor Toasters are fast, reliable, and versatile, toasting up to 300 bread or bun product per hour. The front or rear discharge allows the operator to place the Toast-Max toaster where it is most convenient. Toast-Max toasters feature long lasting serpentine metal sheathed heating elements, a permanently lubricated conveyor motor, and a four position toast selector switch. Every unit is shipped with 102 mm (4") adjustable legs, a feed ramp, a removable crumb tray, a front discharge chute, and rear discharge tray.

TM-5 Model

The TM-5 model allows for toasting of bread products up to 38 mm (1-1/2") thick and 187 mm (7-3/8") wide. Capacity is up to 180 slices per hour.

TM-5H Model

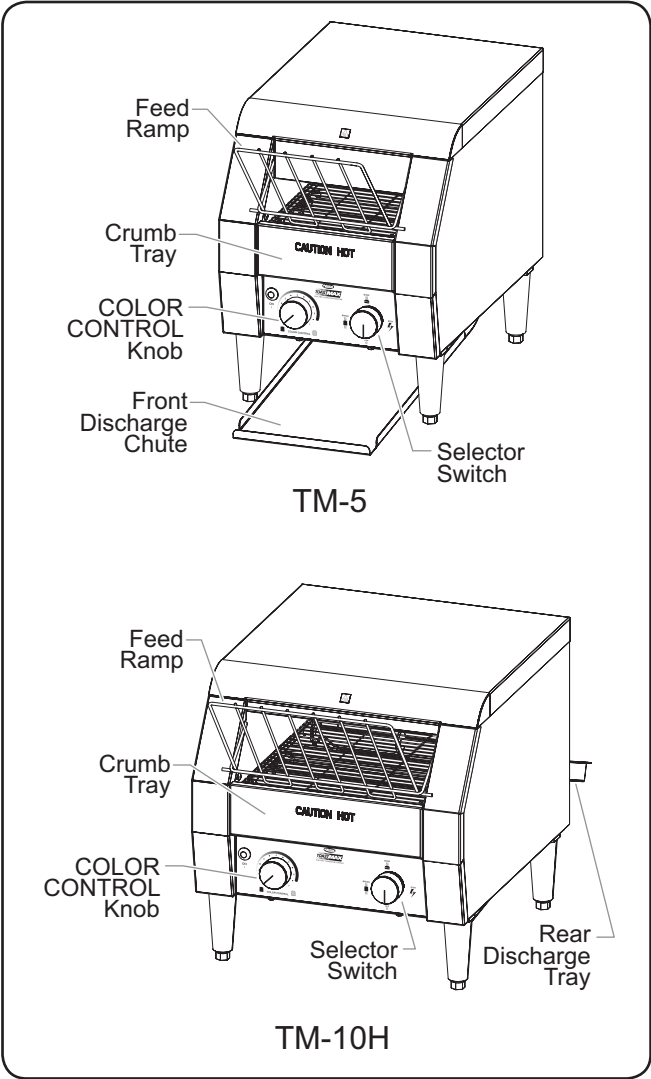
The TM-5H model allows for toasting of bread products up to 76 mm (3") thick and 187 mm (7-3/8") wide. Capacity is up to 180 slices per hour.

TM-10 model

The TM-10 model allows for toasting of bread products up to 38 mm (1-1/2") thick and 245 mm (9-5/8") wide. Capacity is up to 300 slices per hour.

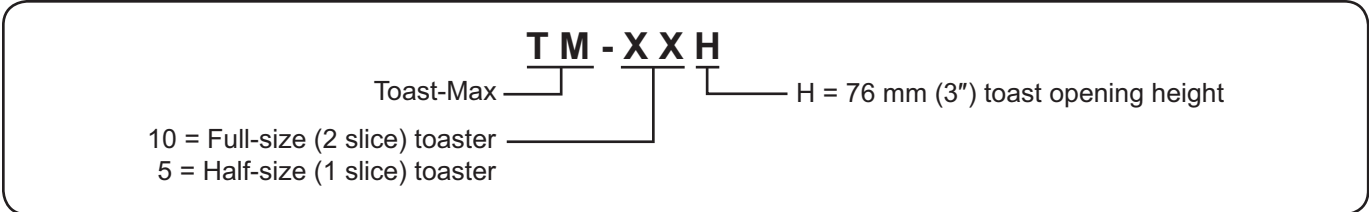
TM-10H model

The TM-10H model allows for toasting of bread products up to 76 mm (3") thick and 245 mm (9-5/8") wide. Capacity is up to 300 slices per hour.



TM-5 and TM-10H Models

MODEL DESIGNATION



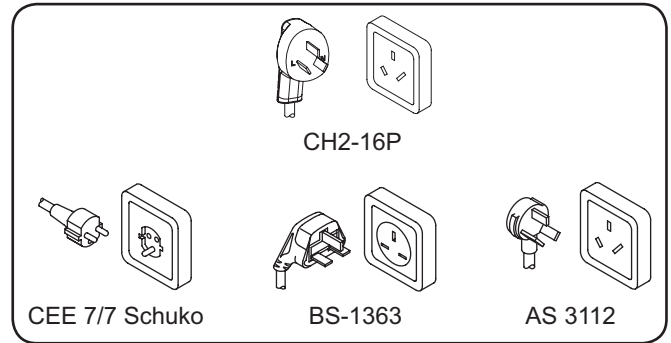
Plug Configurations

Units are supplied from the factory with an electrical cord and plug. Plugs are supplied according to the application.

⚠ WARNING

ELECTRIC SHOCK HAZARD: Plug unit into a properly grounded electrical receptacle of the correct voltage, size, and plug configuration. If plug and receptacle do not match, contact a qualified electrician to determine and install the proper voltage and size electrical receptacle.

NOTE: The specification label is located on the back of the unit. See label for serial number and verification of unit electrical information.



Plug Configurations

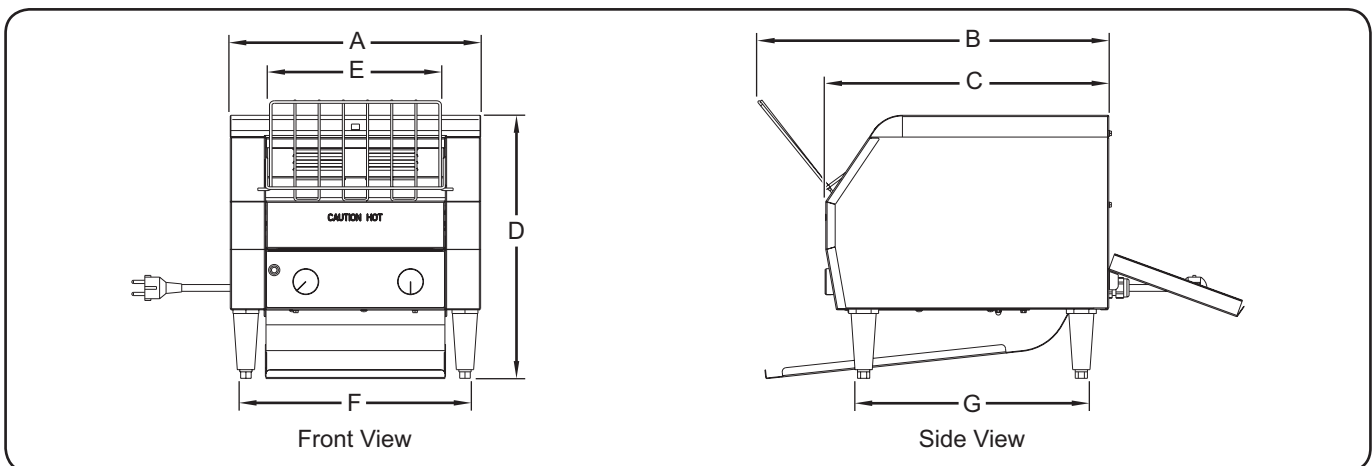
NOTE: Receptacle not supplied by Hatco.

Electrical Rating Chart

Model	Voltage	Hertz	Watts	Amps	Plug Configuration	Shipping Weight
TM-5	220–240	50/60	1340–1595	6.1–6.6	CH2-16P, CEE 7/7 Schuko, BS-1363, AS-3112	16 kg (36 lbs.)
TM-5H	100	50/60	1480	14.8	No Plug	16 kg (36 lbs.)
	220–240	50/60	1340–1595	6.1–6.6	CH2-16P, CEE 7/7 Schuko, BS-1363, AS-3112	16 kg (36 lbs.)
TM-10	220–240	50/60	1940–2300	8.8–9.6	CH2-16P, CEE 7/7 Schuko, BS-1363, AS-3112	19 kg (41 lbs.)
TM-10H	220–240	50/60	1940–2300	8.8–9.6	CH2-16P, CEE 7/7 Schuko, BS-1363, AS-3112	19 kg (41 lbs.)

Dimensions

Model	Width (A)	Overall Depth (B)	Unit Depth (C)	Height (D)	Chamber Width (E)	Footprint Width (F)	Footprint Depth (G)
TM-5 and TM-5H	290 mm (11-7/16")	523 mm (20-5/8")	419 mm (16-1/2")	387 mm (15-1/4")	186 mm (7-3/8")	260 mm (10-1/4")	336 mm (13-1/4")
TM-10 and TM-10H	368 mm (14-1/2")	520 mm (20-1/2")	419 mm (16-1/2")	387 mm (15-1/4")	264 mm (10-3/8")	338 mm (13-3/8")	336 mm (13-1/4")



General

The Toast-Max® Electric Conveyor Toaster is shipped with all components pre-assembled. Care should be taken when unpacking the shipping carton to avoid damage to the unit and the components enclosed.



ELECTRIC SHOCK HAZARD: Unit is not weatherproof. Locate unit indoors where ambient air temperature is a minimum of 21°C (70°F).

EXPLOSION HAZARD: Do not store or use gasoline or other flammable vapors or liquids in the vicinity of this or any other appliance.

FIRE HAZARD:

- Locate unit a minimum of 25 mm (1") from combustible walls and materials. If safe distances are not maintained, combustion or discoloration could occur.
- Do not place anything on top of toaster. Do not place toaster near or underneath curtains or other combustible materials. Items near or on top of toaster could catch fire causing injury and/or damage to the toaster.

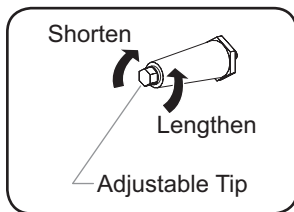
1. Remove the unit from the carton.

NOTE: To prevent delay in obtaining warranty coverage, complete online warranty registration. See the IMPORTANT OWNER INFORMATION section for details.

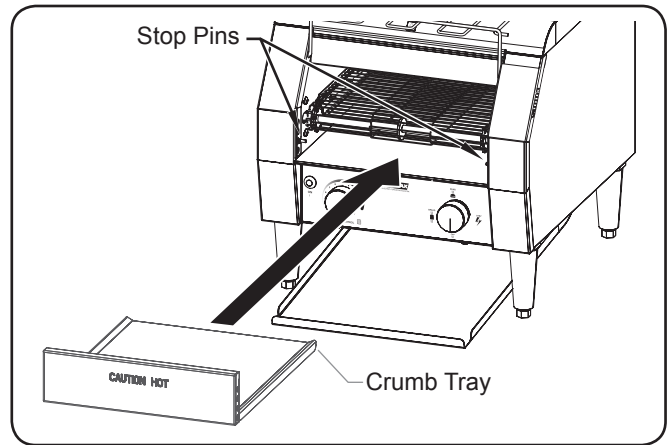
2. Remove tape and protective packaging from all surfaces of the unit
3. Place the unit in the desired location.

- Locate the unit in an area where the ambient air temperature is constant and a minimum of 21°C (70°F). Avoid areas that may be subject to active air movements or currents (i.e., near exhaust fans/hoods and air conditioning ducts).
- Make sure the unit is at the proper counter height in an area convenient for use.
- Make sure the countertop is level and strong enough to support the weight of the unit and food product.
- Make sure all the feet on the bottom of the unit are positioned securely on the countertop.

4. Level the unit by turning the adjustable tip on each leg, if necessary. Use a 16 mm (5/8") open-end wrench to make leveling adjustments.



5. Install the crumb tray.
 - a. Position the crumb tray directly below the stop pins under the conveyor belt at the front of the toaster.
 - b. Slide the crumb tray into the toaster until the front of the crumb tray meets the stop pins.
6. Install the front discharge chute or rear discharge tray to the rear of the unit. Refer to the "Front or Rear Discharge Installation" procedure in this section.



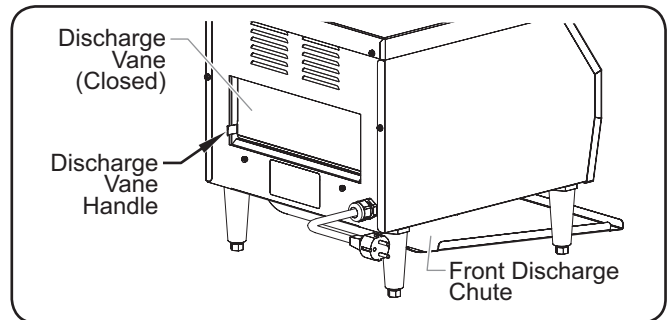
Installing the Crumb Tray

Front or Rear Discharge Installation

Toast-Max units can be set up so toasted product discharges at either the front or the rear of the unit.

For front discharge:

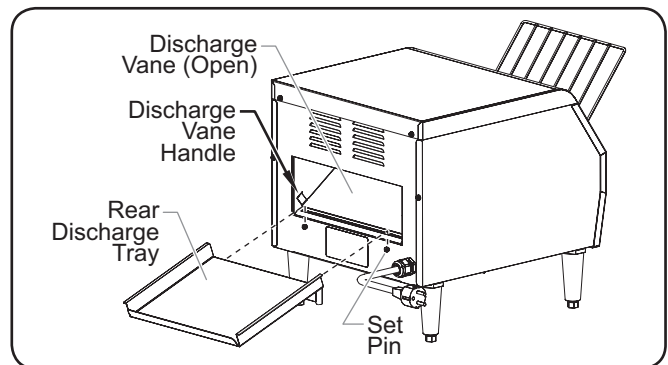
1. Slide the front discharge chute underneath the toaster.
2. Angle the curved end of the chute up slightly to place the lip of the chute over the rear pins (one on each side).
3. Pull shut the discharge vane so it is in the closed position.



Front Discharge (Rear View)

For rear discharge:

1. Remove the front discharge chute if it is installed.
2. Align the notches on the rear discharge tray over the two set pins and lower into place.
3. Push open the discharge vane so it rests on the pins inside of the unit.



Rear Discharge (Rear View)

General

The Electric Conveyor Toaster is designed for ease of operation. Perform the following procedure to operate the toaster.

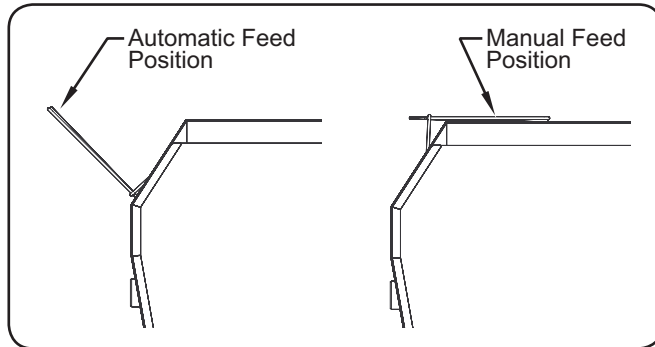
⚠ WARNING

Read all safety messages in the **IMPORTANT SAFETY INFORMATION** section before operating this equipment.

⚠ CAUTION

Always operate toaster with crumb tray installed.

1. Plug the unit into a properly grounded electrical receptacle of the correct voltage, size, and plug configuration. See the SPECIFICATIONS section for details.
2. Move the feed ramp to the desired position.
 - For automatic feeding, move the feed ramp to the automatic feed position. Bread products enter the toaster by placing them on the feed ramp and releasing.
 - For manual feeding, rotate the feed ramp up until it rests on top of the unit. Bread products can be loaded manually by placing directly on the conveyor belt.



Toast Feed Ramp

3. Move the selector switch to the desired toasting setting.
 - To toast both sides of the bread, place the selector switch in the BREAD position.
 - To toast the top of the bread only, place the selector switch in the BUN position.

NOTE: The Power ON (I) Indicator Light will glow after a toasting selection is made.

4. Turn the Color Control knob to the lightest position while the unit heats up.

NOTE: Allow approximately 15 to 20 minutes for a warm-up period.

⚠ CAUTION

BURN HAZARD: Some exterior surfaces on unit will get hot. Use caution when touching these areas.

5. After warm-up period, set the Color Control knob to the medium position and toast two slices of bread product then re-adjust the Color Control knob to the desired setting.

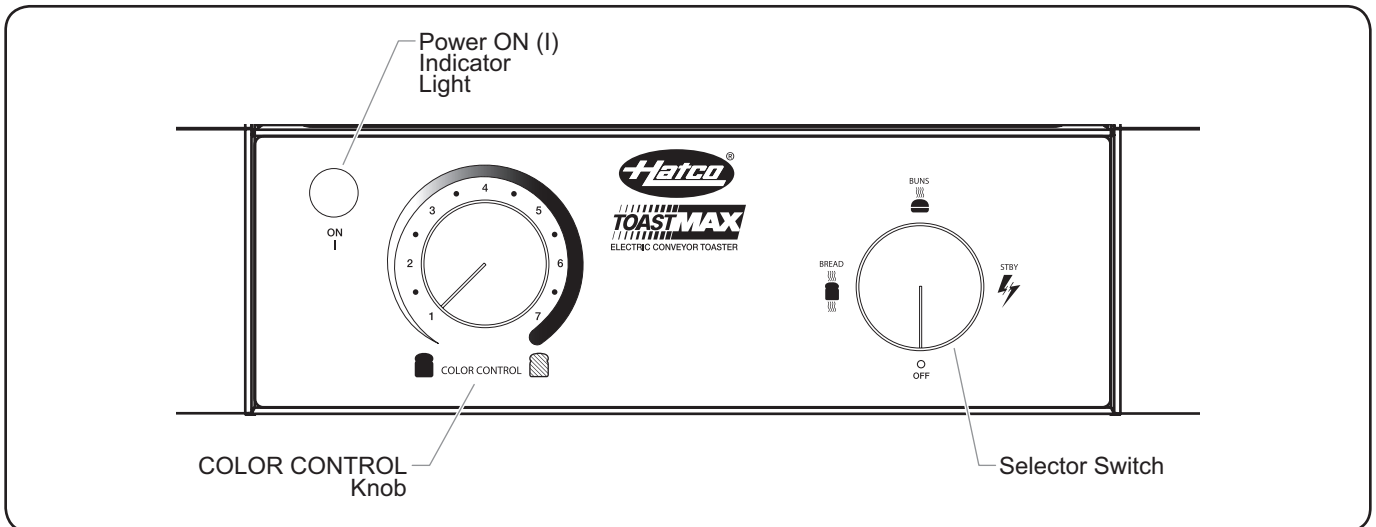
NOTE: To toast moist products such as English muffins, rye bread, or whole wheat, slow the conveyor by turning the Color Control knob to a darker setting (clockwise).

All TM series toasters can be put into a Power Save mode by placing the selector switch in the STBY (standby) position. The toaster is operating at 25% power in the Power Save mode.

NOTE: To place toaster back into full operation, turn the selector switch to the BREAD or BUN position. Unit is back up and ready for toasting within 5 minutes.

⚠ CAUTION

Toasting of coated or buttered products such as garlic bread, cheese sandwiches, and sweet rolls is **NOT** recommended. Residue will reduce toaster performance and could ignite inside toaster. Using toaster with the food products listed above will void unit warranty.



Control Panel

General

The Toast-Max® Electric Conveyor Toaster is designed for maximum durability and performance with minimum maintenance.



ELECTRIC SHOCK HAZARD:

- Turn OFF power switch, unplug power cord, and allow unit to cool before performing any cleaning, adjustments, maintenance, or attempting to clear a jam.
- DO NOT submerge or saturate with water. Unit is not waterproof. Do not operate if unit has been submerged or saturated with water.
- Do not steam clean or use excessive water on unit.
- This unit is not “jet-proof” construction. Do not use jet-clean spray to clean this unit.
- Do not clean unit when it is energized or hot.
- Do not allow liquids to spill into unit.
- Use only Genuine Hatco Replacement Parts when service is required. Failure to use Genuine Hatco Replacement Parts will void all warranties and may subject operators of the equipment to hazardous electrical voltage, resulting in electrical shock or burn. Genuine Hatco Replacement Parts are specified to operate safely in the environments in which they are used. Some aftermarket or generic replacement parts do not have the characteristics that will allow them to operate safely in Hatco equipment.

This unit has no “user-serviceable” parts. If service is required on this unit, contact an Authorized Hatco Service Agent or contact Hatco at (0512) 6732-5091.

Daily Cleaning

To preserve the bright finish of the unit it is recommended that the exterior surfaces be cleaned daily with a damp cloth.



Use non-abrasive cleaners only. Abrasive cleaners could scratch finish of unit, marring its appearance and making it susceptible to soil accumulation.

Submerging or saturating unit with water will damage the unit and void unit warranty.

1. Unplug the power cord and allow the unit to cool.
2. Remove and empty the crumb trays. **CAUTION! BURN HAZARD—Do not remove crumb trays for cleaning until toaster is cool.**



BURN HAZARD: Do not remove crumb tray for cleaning until toaster is cool.

3. Wash the crumb tray with warm water and a mild detergent. Rinse with water.
 - Allow the crumb tray to air dry before placing back into the toaster.
4. Remove and wash the front discharge chute or rear discharge tray with a mild detergent. Rinse with water.
 - Allow the front discharge chute or rear discharge tray to air dry before reinstalling.
5. Wipe the exterior surface of the toaster with a damp cloth. **NOTICE: Use non-abrasive cleaners only.**
6. Remove and clean the toast feed ramp.
 - a. Press in the two wire spokes and lift up to remove the toast feed ramp.
 - b. Wipe clean with a soft damp cloth or soak the ramp in a mild solution of 227 ml (1 cup) ammonia and 3.785 L (1 gallon) of water.
 - c. Align the wire spokes with the holes in the toaster to re-install the ramp.



This unit must be serviced by trained and qualified personnel only. Service by unqualified personnel may lead to electric shock or burn.



ELECTRIC SHOCK HAZARD: Unplug power cord and allow unit to cool before performing maintenance, cleaning, or attempting to clear a jam.

Symptom	Probable Cause	Corrective Action
Toast too light.	Color Control knob set on a light setting.	Turn color control knob to a darker setting.
	Unit not warmed up. The toaster needs time to heat up when initially turned on.	Allow approximately 15 to 20 minutes for the unit to warm up.
	Supply voltage to unit is low.	Verify the supply voltage to the toaster matches the unit specifications.
Toast too dark.	Color Control knob set on a dark setting.	Turn color control knob to a lighter setting.
	Supply voltage to unit is high.	Verify the supply voltage to the toaster matches the unit specifications.
Unit toasts on one side only.	Selector switch is in the BUN position (one-sided toasting).	Place the selector switch in the BREAD position (two-sided toasting).
	Heating element defective.	If the element does not glow, contact Authorized Service Agent or Hatco for assistance.
Toaster trips the circuit breaker or GFCI.	Circuit breaker is not sized properly for the toaster.	Check circuit breaker for proper sizing.
	Wiring fault inside toaster.	Contact Authorized Service Agent or Hatco for assistance.

1. PRODUCT WARRANTY

Hatco warrants the products that it manufactures (the "Products") to be free from defects in materials and workmanship, under normal use and service, for a period of one (1) year from the date of purchase when installed and maintained in accordance with Hatco's written instructions or 18 months from the date of shipment from Hatco. Buyer must establish the Product's purchase date by registering the Product with Hatco or by other means satisfactory to Hatco in its sole discretion.

Hatco warrants the following Product components to be free from defects in materials and workmanship from the date of purchase (subject to the foregoing conditions) for the period(s) of time and on the conditions listed below:

- a) **Two (2) Year Parts Warranty:**
 - Conveyor Toaster Elements (metal sheathed)
 - Drawer Warmer Elements (metal sheathed)
 - Drawer Warmer Drawer Rollers and Slides
 - Strip Heater Elements (metal sheathed)
 - Display Warmer Elements (metal sheathed air heating)
 - Holding Case Elements (metal sheathed air heating)
 - Heated Well Elements — HWB Series (metal sheathed)
- b) **Five (5) Year Parts Warranty:**
 - 3CS and FR Tanks
- c) **Ten (10) Year Parts Warranty:**
 - Electric Booster Heater Tanks
 - Gas Booster Heater Tanks
- d) **Ninety (90) Day Parts Warranty:**
 - Replacement Parts

THE FOREGOING WARRANTIES ARE EXCLUSIVE AND IN LIEU OF ANY OTHER WARRANTY, EXPRESSED OR IMPLIED, INCLUDING BUT NOT LIMITED TO ANY IMPLIED WARRANTY OF MERCHANTABILITY OR FITNESS FOR A PARTICULAR PURPOSE OR PATENT OR OTHER INTELLECTUAL PROPERTY RIGHT INFRINGEMENT. Without limiting the generality of the foregoing, SUCH WARRANTIES DO NOT COVER: Coated incandescent light bulbs, fluorescent lights, heat lamp bulbs, coated halogen light bulbs, halogen heat lamp bulbs, xenon light bulbs, LED light tubes, glass components, and fuses; Product failure in booster tank, fin tube heat exchanger, or other water heating equipment caused by liming, sediment buildup, chemical attack, or freezing; or Product misuse, tampering or misapplication, improper installation, or application of improper voltage.

2. LIMITATION OF REMEDIES AND DAMAGES

Hatco's liability and Buyer's exclusive remedy hereunder will be limited solely to replacement of part or Product using, at Hatco's option, new or refurbished parts or Product by Hatco or a Hatco-authorized service agency with respect to any claim made within the applicable warranty period referred to above. Hatco reserves the right to accept or reject any such claim in whole or in part. In the context of this Limited Warranty, "refurbished" means a part or Product that has been returned to its original specifications by Hatco or a Hatco-authorized service agency. Hatco will not accept the return of any Product without prior written approval from Hatco, and all such approved returns shall be made at Buyer's sole expense. HATCO WILL NOT BE LIABLE, UNDER ANY CIRCUMSTANCES, FOR CONSEQUENTIAL OR INCIDENTAL DAMAGES, INCLUDING BUT NOT LIMITED TO LABOR COSTS OR LOST PROFITS RESULTING FROM THE USE OF OR INABILITY TO USE THE PRODUCTS OR FROM THE PRODUCTS BEING INCORPORATED IN OR BECOMING A COMPONENT OF ANY OTHER PRODUCT OR GOODS.

SERVICE INFORMATION

The warranty on this Hatco unit is for one year from date of purchase or eighteen months from date of shipping from Hatco, whichever occurs first.

If you experience a problem with this unit during the warranty period, please do the following:

Contact Local Hatco Dealer

When contacting the Hatco dealer for service assistance, please supply the dealer with the following information to ensure prompt processing:

- Model of unit
- Serial number (located on the unit)
- Specific problem with the unit
- Date of purchase
- Name of business
- Shipping address
- Contact name and phone number

The Hatco dealer will do the following:

- Provide replacement part(s) as required
- Submit warranty claim to Hatco for processing

Non-Warranty Problems

If you experience a non-warranty problem that requires assistance, please contact the nearest Authorized Hatco Service Agency.

To locate the nearest Service Agency:

- call Hatco at (0512) 6732-5091
- e-mail Hatco at infocn@hatcocorp.com

使用者重要注意事项	11	操作	16
简介	11	总则	16
重要安全说明	12	维护	17
型号说明	13	总则	17
型号命名	13	日常清理	17
规格	14	故障处理指南	18
插头型式	14	全球有限质保	19
电气参数表	14	服务信息	19
尺寸	14		
安装	15		
总则	15		
前/后输出装置安装	15		

使用者重要注意事项

请在下列空白处记下本设备的型号、序列号、电压、和购买日期（规格标签位于设备背面）。致电 Hatco 要求服务帮助时请提供上述信息。

型号 _____

序列号 _____

电压 _____

购买日期 _____

工作时间： 北京时间 上午 9:00 – 下午 6:00 周一至周五

电话： (0512) 6732-5091

E-mail: infocn@hatcocorp.com

查询更多信息请访问我们的网站：www.hatcocorp.com

简介

Hatco Toast-Max® 电动履带式烤面包机采用专门设计，旨在提供更快的烘烤速度。该系列产品通过加热柜进行快速全面的烘烤。面包的水分、糖分和厚度都会影响到烤面包机烘烤完美面包的能力。由履带速度而非温度来决定烘烤颜色，可瞬间调整烘烤时间。

Hatco 烤面包机质量上乘，可满足食品餐饮服务运营的需要，持续多年为客户提供安全无忧的性能。管状加热元件配有螺旋形金属护层，保证两年内不破损和烧毁。

Hatco Toast-Max 电动履带式烤面包机是经过广泛研究和现场试验的可靠产品。所选用材料经久耐用，外型美观，且性能优异。每件产品在出厂前都经过严格的检验和测试。

本手册提供 Hatco Toast-Max 电动履带式烤面包机的安装、安全和操作说明。HATCO 建议您在安装和使用 HATCO 自动弹跳式烤面包机之前，请仔细阅读本手册中的所有安装、操作和安全说明。

本手册中的安全信息采用以下标志表示：



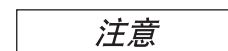
警告

“警告”表示有危险情况，如果不加以避免，则可能导致人身伤亡。



小心

“小心”表示有危险情况，如果不加以避免，则可能导致轻度或中度人身伤害。



注意

“注意”用于提示不会涉及人身伤害的操作。

! 使用本设备前，请仔细阅读下列重要安全事项，以免造成严重的人身伤亡及设备或财产的损坏。

警告

触电危险：

- 将设备插头妥善插入有接地的电气插座内，插入前请核对电压、规格和插头型式是否正确。如果插头和插座不匹配，请和有正式资格的电工联系，以确定并安装电压和规格正确的电气插座。
- 在进行任何清洁、调整、维护工作或尝试清理废渣之前，请先关闭电源开关、拔下电源线，并使设备冷却。
- 禁止将设备浸入水中。本设备不防水。严禁使用被水浸过的设备。
- 本设备不具备耐候性。请将本设备置于室内，室内气温不得低于(21°C) 70°F。
- 不得用蒸汽或使用过多的水清洁设备。
- 本设备不具备防喷淋结构。请勿使用喷淋头清洁本设备。
- 请勿用电源线拖拽本设备。
- 如果电源线磨损或者破损，请停止使用。
- 如果电源线出现磨损，不要试图自行维修或更换。电源线必须由HATCO、HATCO授权服务机构或具备类似资质的人员进行更换以免发生危害。
- 本设备必须由具备相应资质的人员进行维修。由不具备相应资质的人员维修可能导致触电或起火。
- 请不要在设备通电或尚未冷却时进行清洁。
- 不要让液体溅入设备。
- 维修时只能使用正品HATCO更换零部件。未使用正品HATCO更换零部件会导致质保失效及造成设备操作人员受到有害电压威胁，并引起触电或着火。正品HATCO更换零部件可以保证使用环境下的安全生产，某些普通零部件不具备相关特性，从而无法保证在HATCO设备的安全使用。

火灾危险：

- 将设备放置在距离可燃墙壁或材料至少1英寸(25 mm)的地方。如果不能保持安全距离，则可能引起褪色或燃烧。
- 请不要在设备上面摆放任何物品。不要将设备摆放在靠近窗帘或类似可燃材料的地方。面包机附近或上面的物品可能会起火从而导致设备损坏或造成人身伤害事故的发生。

警告

爆炸危险：请勿在设备或其它电器周围储存或使用汽油类或其它易燃气体和液体。

万一遇到起火的情况，立即拔下电源。这样可以使设备冷却，使灭火更加容易、安全。

本设备不能在外接定时器或独立的遥控控制系统的方式下运行。

确保所有操作人员受过安全正确使用设备的培训。

本设备未针对儿童和体质偏弱、过敏和精神失常人群使用做相应设计。确保对儿童进行适当看管，使他们远离设备。

本设备不含“用户维修”零部件。如需维修，请联系HATCO授权服务机构或HATCO服务部门，电话 (0512) 6732-509。

小心

烫伤危险：

- 本设备的某些外表面处温度较高，接触这些部位时请务必小心。
- 请勿在设备尚未冷却的情况下取出碎屑托盘清理。

请将本设备置于台面高度适宜、且使用方便的位置。放置位置应水平，以防止本设备或其部件以外落地，并有足够的强度支撑本设备及其部件的重量。

请务必在装备碎屑托盘的情况下操作设备。

不建议将本设备用于烘烤带涂层或奶油的制品，比如蒜蓉面包、芝士三明治以及小甜面包等。残留物会降低设备效能，同时可能引起设备内部起火。烘烤以上食品会导致质保失效。

注意

只允许使用非摩擦性清洁剂。摩擦性清洁剂可能会刮伤本设备的表面处理层，破坏其外观，并易使表面积尘。

请勿将设备置于气流过急的环境中。避免将设备放在空气流动或气流活跃的区域（即排气扇/排风罩、空调管和外门附近）。

将设备浸入水中或设备中灌水会损坏设备及导致质保失效。

禁止将设备控制面板向下放置，否则会损坏设备。

本设备仅适于商业用途 — 非家用设备。

所有型号

Toast-Max® 系列的所有电动履带式烤面包机都具备快速、可靠且多功能的特点，每小时可烤 300 片面包或小圆面包。前/后输出设计，有利使用者将 Toast-Max 烤面包机随心放置在最方便的位置。Toast-Max 烤面包机的特色是：加热元件螺旋形金属护层持久耐用、履带发动机永久润滑，而且配有一个四向烘烤选择开关。每台设备都配备有 102mm (4 英寸) 伸缩式脚架、一个面包输入架、一个可拆卸的碎屑托盘、一个前输出槽和一个后输出托盘。

TM-5 型

TM-5 型可烘烤厚 38mm (1-1/2 英寸)、宽 187mm (7-3/8 英寸) 的面包产品。每小时可烘烤多达 180 片面包。

TM-5H 型

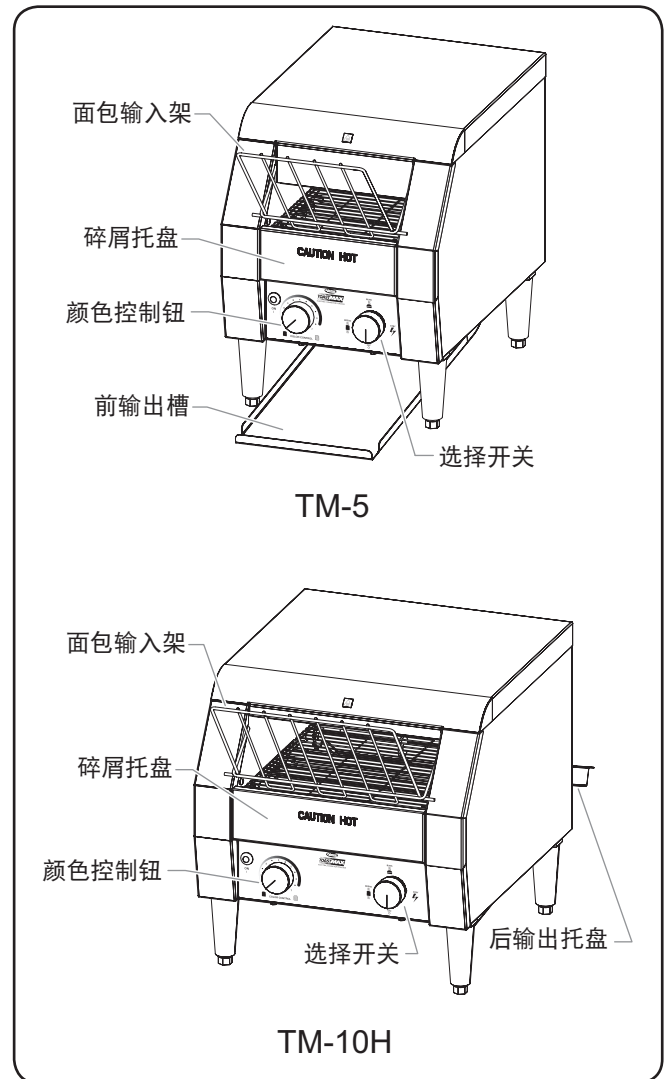
TM-5H 型可烘烤厚 76mm (3 英寸)、宽 187mm (7-3/8 英寸) 的面包产品。每小时可烘烤多达 180 片面包。

TM-10 型

TM-10 型可烘烤厚 38mm (1-1/2 英寸)、宽 245mm (9-5/8 英寸) 的面包产品。每小时可烘烤多达 300 片面包。

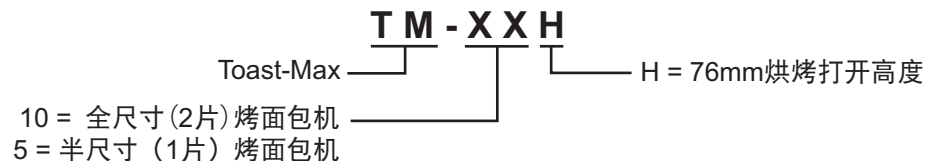
TM-10H 型

TM-10 型可烘烤厚 76mm (3 英寸)、宽 245mm (9-5/8 英寸) 的面包产品。每小时可烘烤多达 300 片面包。



TM-5 型和 TM-10H 型

型号命名



插头型式

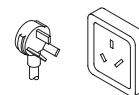
设备出产时，随机配备电源线和插头。插头根据实际使用情况配备。



警告

触电危险：将设备插头妥善插入有接地的电气插座内，插入前请核对电压、规格和插头型式是否正确。如果插头和插座不匹配，请和有正式资格的电工联系，以确定并安装电压和规格正确的电气插座。

注意：规格标签位于设备背面。查看标签上的序列号和设备电气参数信息。



CH1-10P

插头型式

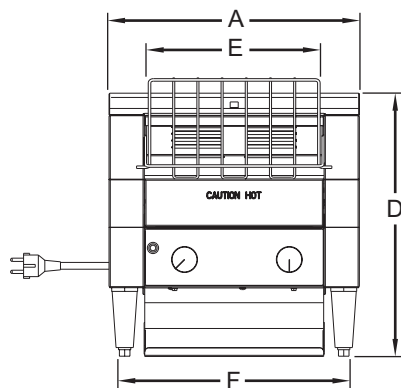
注意：HATCO不提供插座。

电气参数表

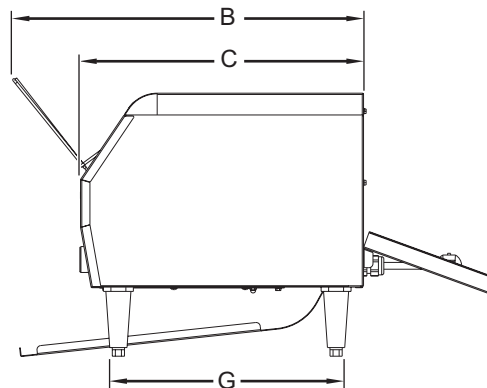
型号	电压	赫兹	功率	电流	插头型式	出厂重量
TM-5	220-240	50/60	1340-1595	6.1-6.6	CH2-16P, CEE 7/7 Schuko, BS-1363, AS-3112	16 kg (36 lbs.)
TM-5H	100	50/60	1480	14.8	不带插头的电线	16 kg (36 lbs.)
	220-240	50/60	1340-1595	6.1-6.6	CH2-16P, CEE 7/7 Schuko, BS-1363, AS-3112	16 kg (36 lbs.)
TM-10	220-240	50/60	1940-2300	8.8-9.6	CH2-16P, CEE 7/7 Schuko, BS-1363, AS-3112	19 kg (41 lbs.)
TM-10H	220-240	50/60	1940-2300	8.8-9.6	CH2-16P, CEE 7/7 Schuko, BS-1363, AS-3112	19 kg (41 lbs.)

尺寸

型号	宽度 (A)	整体深度 (B)	设备深度 (C)	高度 (D)	柜体宽度 (E)	触地宽度 (F)	触地深度 (G)
TM-5 and TM-5H	290 mm (11-7/16")	523 mm (20-5/8")	419 mm (16-1/2")	387 mm (15-1/4")	186 mm (7-3/8")	260 mm (10-1/4")	336 mm (13-1/4")
TM-10 and TM-10H	368 mm (14-1/2")	520 mm (20-1/2")	419 mm (16-1/2")	387 mm (15-1/4")	264 mm (10-3/8")	338 mm (13-3/8")	336 mm (13-1/4")



前视图



侧视图

总则

Toast-Max® 电动履带式烤面包机的所有组件都已提前安装完毕。打开装箱时请务必小心，以免损坏设备和封闭组件。

警告

触电危险：本设备不具备耐候性。请将本设备置于室内，室内气温不得低于(21°C) 70°F。

爆炸危险：请勿在设备或其它电器周围储存或使用汽油类或其它易燃气体和液体。

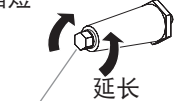
火灾危险：

- 将设备放置在距离可燃墙壁或材料至少1英寸(25 mm)的地方。如果不能保持安全距离，则可能引起褪色或燃烧。
- 请不要在设备上面摆放任何物品。不要将设备摆放在靠近窗帘或类似可燃材料的地方。面包机附近或上面的物品可能会起火从而导致设备损坏或造成人身伤害事故的发生。

1. 从包装箱中取出产品。
2. 移去产品表面所有的包装带和包装材料。
3. 将产品安装在理想位置。
 - 请将设备放置于环境气温相对稳定且不低于(21°C) 70°F的地方。避免将设备放置于空气易于流动或有气流经过的地方，比如靠近排风扇、抽油烟机和空调排风口的地方。
 - 请将本设备置于台面高度适宜、且使用方便的位置。
 - 确保台面水平且有足够的强度支撑本设备及其部件的重量。
 - 确保设备底部的支撑脚稳固放置在桌面上。

4. 必要时，旋转每个脚架上的可调端脚，使设备保持水平。使用 16mm (5/8 英寸) 的开口扳手进行调平。

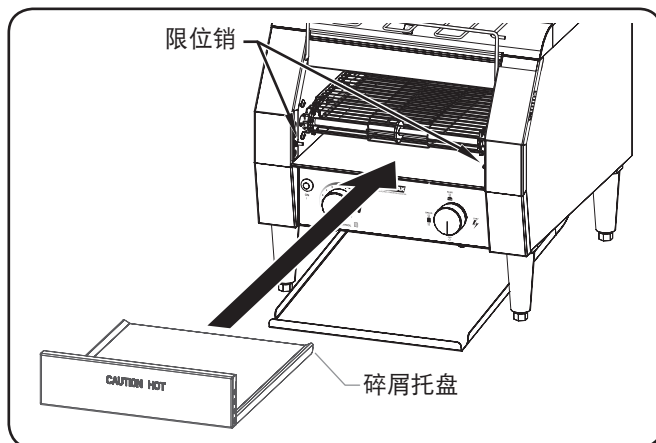
缩短



延长

可调端脚

5. 安装碎屑托盘。
 - a. 将碎屑托盘直接安装在烤面包机前方履带下的限位销下面。
 - b. 将碎屑托盘滑动至烤面包机内部，直至碎屑托盘前方触到限位销。
6. 将前输出槽或后输出托盘安装至设备后端。请参阅本部分的“前/后输出装置安装”程序。



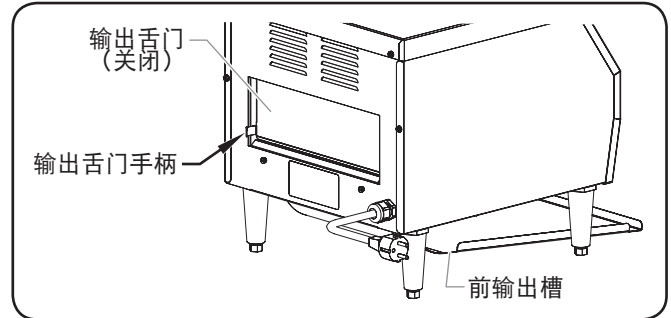
安装碎屑托盘

前/后输出装置安装

Toast-Max 设备可以进行设置，以便前端或后端输出烘烤产品。

若需 前端 输出：

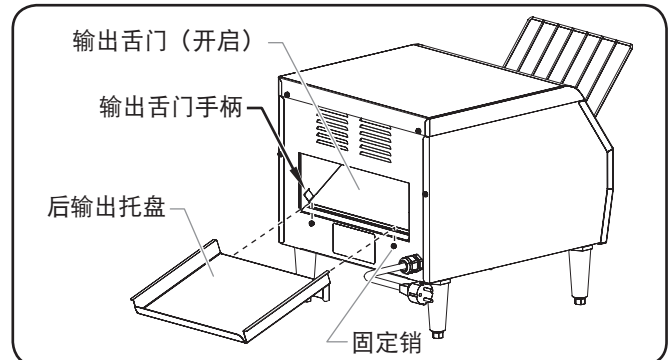
1. 将前输出槽滑动至烤面包机下方。
2. 稍微调整输出槽的弯曲端部，将输出槽的边缘放置在后帘之上（每边各一个）。
3. 拉关输出舌门，使其处于关闭位置。



前端输出 (后视图)

若需 后端 输出：

1. 拆下前输出槽（若已安装）。
2. 将后输出托盘上的槽口对齐两个固定销上方，然后放低至适当位置。
3. 推开输出舌门，使其置于面包机内的销钉上。



后端输出 (后视图)

总则

电动履带式烤面包机采用专门设计，操作简单。完成下列程序以操作烤面包机。



警告

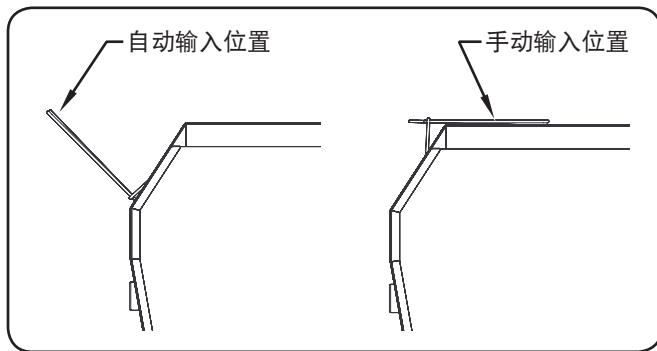
操作本设备之前请仔细阅读重要安全信息章节的所有安全提示。



小心

切记装配碎屑托盘后方可使用烤面包机。

1. 将设备插头妥善插入有接地的电气插座内，插入前请核对电压、规格和插头型式是否正确。详见规格。
2. 移动面包输入架至所需位置。
 - 如要自动输入，移动面包输入架至自动输入位置。将面包产品置于面包输入架然后松手，面包进入烤面包机。
 - 如要手动输入，旋转面包输入架直到其位于设备顶部。将面包产品直接置于履带之上即可手动装载。



面包输入架

3. 将选择开关移至所需的烘烤设置。

- 若烘烤面包的双面，将选择开关置于 BREAD 位置。
- 若仅烘烤面包的上部，将选择开关置于 BUN 位置。

注意：做出烘烤选择后，电源 ON (I) 指示灯将亮起。

4. 设备预热时，转动颜色控制钮至颜色最浅位置。

注意：预热时间约为 15 至 20 分钟。



小心

烫伤危险：本设备的某些外表面处温度较高，接触这些部位时请务必小心。

5. 预热时间过后，将颜色控制钮调至中间位置，烘烤两片面包产品，然后重新调整颜色控制钮至所需设置。

注意：如果烘烤水分较多的食品，如英式松饼、黑麦面包或全麦面包，通过转动颜色控制钮至较深设置（顺时针方向），调慢履带的速度。

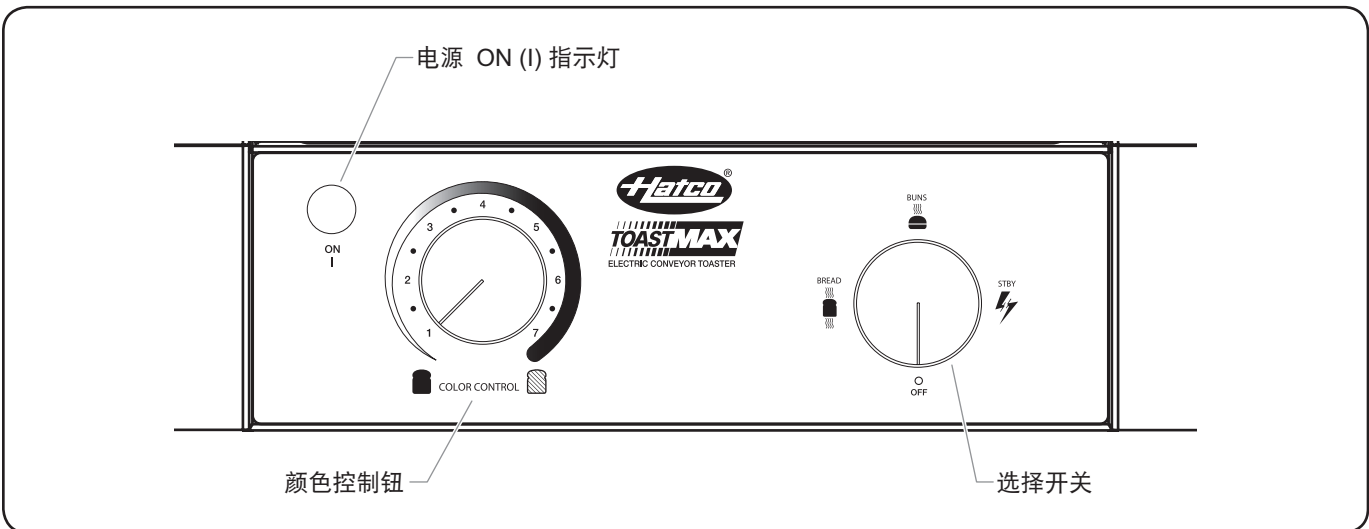
将选择开关置于 STBY（待机）位置，所有 TM 系列烤面包机可进入省电模式。在省电模式下，烤面包机只消耗 25% 的电量。

注意：要让烤面包机恢复至正常运作状态，转动选择开关至 BREAD 或 BUN 位置。设备恢复正常并在 5 分钟之内做好烘烤准备。



小心

不建议将本设备用于烘烤带涂层或奶油的制品，比如蒜蓉面包、芝士三明治以及小甜面包等。残留物会降低设备效能，同时可能引起设备内部起火。烘烤以上食品会导致质保失效。



控制面板

总则

Toast-Max® 电动履带式烤面包机设计经久耐用、性能优异且易于维护。

警告

触电危险：

- 在对设备进行维护、清洁或排除卡死故障前，请先拔下电源线，并使设备冷却。
- 禁止将设备浸入水中。本设备不防水。严禁使用被水浸过的设备。
- 不得用蒸汽或使用过多的水清洁设备。
- 本设备不具备防喷淋结构。请勿使用喷淋头清洁本设备。
- 请不要在设备通电或尚未冷却时进行清洁。
- 不要让液体溅入设备。
- 维修时只能使用正品HATCO更换零部件。未使用正品HATCO更换零部件会导致质保失效及造成设备操作人员受到有害电压威胁，并引起触电或着火。正品HATCO更换零部件可以保证使用环境下的安全生产，某些普通零部件不具备相关特性，从而无法保证在HATCO设备的安全使用。

本设备不含“用户维修”零部件。如需维修，请联系HATCO授权服务机构或HATCO服务部门，电话 (0512) 6732-5091。

日常清理

为了保护设备的表面处理，建议每天用细软的湿布擦拭金属表面。

注意

只允许使用非摩擦性清洁剂。摩擦性清洁剂可能会刮伤本设备的表面处理层，破坏其外观，并易使表面积尘。

将设备浸入水中或设备中灌水会损坏设备及导致质保失效。

1. 拔下电源线，让设备冷却。
2. 卸下并清空碎屑托盘。小心！防止烫伤！等设备冷却再拆卸托盘进行清洗。

小心

烫伤危险：

- 本设备的某些外表面处温度较高，接触这些部位时请务必小心。
3. 用温水加温和的清洁剂清洗托盘。然后用清水洗净。
 - 让托盘自然晾干或用软布擦干托盘，然后放回烤面包机。
 4. 拆下前输出槽或后输出托盘，并使用温和洗涤剂清洗。清水洗净即可。
 - 重新安装前，需先晾干前输出槽或后输出托盘。
 5. 用湿布擦拭烤面包机的外表面。注意：只能使用温和的清洁剂和清洁布。
 6. 拆下并清洁面包输入架。
 - a. 按下两个挂钩并抬起，以便拆下面包输入架。
 - b. 用柔软的湿布将面包输入架擦拭干净，或将其浸泡在 1 杯（227 毫升）氨气和 1 加仑（3.785 升）水混合成的中性溶液中。
 - c. 将挂钩与烤面包机上的孔对齐，以重新安装输入架。



警告

本设备只能由受过培训且具备相应资格的人员负责维修。若由不具备相应资格的人员维修，则可能引起触电或着火。



警告

触电危险：在对设备进行维护、清洁或排除卡死故障前，请先拔下电源线，并使设备冷却。

症状	可能原因	纠正措施
面包烘烤颜色过浅。	颜色深浅控制旋钮设定过浅。	将颜色深浅控制旋钮调至较深位置。
	设备未预热。初次启动后，烤面包机需要时间进行预热。	设备预热时间约为 15 至 20 分钟。
	设备供电电压过低。	检查设备的供电电压以匹配设备的规格要求。
面包烘烤颜色过深。	颜色深浅控制旋钮设定过深。	将颜色深浅控制旋钮调至较浅位置。
	设备供电电压过高。	检查设备的供电电压以匹配设备的规格要求。
设备只对面包一面烘烤。	选择开关位于 BUN 位置（单面烘烤）。	将选择开关置于 BREAD 位置（双面烘烤）。
	加热元件存在缺陷。	如果元件不发热，请联系经过授权的服务代理或 Hatco 以寻求帮助。
面包机引起断路器跳闸或接地故障断路。	断路器规格不适用于本设备。	检查断路器规格以匹配设备的规格要求。
	设备内部电路连接错误。	联系 HATCO 服务部门请求帮助。

1. 产品质保

赫高保证其生产的产品（下称“本产品”）不存在材料和工艺缺陷，在按照赫高的说明书安装和维护的情况下，自购买之日起1年内（用户必须书面且保养）或自赫高出厂之日起18个月内，设备可以保证正常工作。客户必须通过在赫高的官网上完成本产品的注册来确定产品的购买日期，或是经由赫高判断进而认可的其他方式。

赫高保证在下述时间内及条件下，下列部件自购买之日起（符合上述条件）不存在材料和工艺缺陷（条件如下）：

a) 保修期为两（2）年的部件：

- 履带式烤面包机加热器（金属铠装）
- 保温抽屉加热器（金属铠装）
- 保温抽屉的抽屉滚轴和滑轨
- S食品保温器加热器（金属铠装）
- 保温陈列柜加热元件（金属铠装、空气加热）
- 保温柜加热元件（金属铠装、空气加热）
- 保温汤锅加热元件—HWB系列（金属铠装）

b) 保修期为五（5）年的部件：

- 3CS和FR水箱

c) 保修期为十（10）年的部件：

- 电动瞬时加热器的水箱
- 煤气瞬时加热器的水箱

d) 保修期为九十（90）天的部件：

- 可更换零件

上述保固政策具有唯一性，任何其他明示或默示的保固政策受其约束。包括但不限于任何适销性或针对特定用途或专利或其它知识产权的侵权的默认保证。无限制前述事项的普遍性。在没有特定说明的情况下，上述质保不包括：带涂层白炽灯泡、日光灯、保温加热灯泡、带涂层卤素灯泡、卤素加热灯泡、氩气灯泡、LED光管、玻璃组件和保险丝；由于结垢、化学腐蚀或严寒造成的瞬时加热器水箱、翅片管式换热器或其他水加热设备的故障；或产品使用不当、擅自改动或误用、安装不当，或电压不正确。

2. 修复和损坏限制

本文所述赫高责任以及对用户的独家修复补偿义务仅限于在上述保修期内提出索赔，由赫高或赫高授权的服务机构负责更换新零件或产品或对原零件或产品进行维修。赫高有权接受或拒绝任何此类全部或部分的索赔。在此有限质保规定中，“翻新”是指本产品的部分或整机已经被赫高或赫高授权的服务代理机构修复至原有的产品规格。未经赫高事先书面批准，赫高不接受任何产品的退回，经过赫高同意的产品退回，其相关费用均由用户独自承担。在任何情况下，对于因故或意外而引起的损失，包括但不限于人工费用，或因产品的使用，或不会用，或产品隶属或成为其他产品的一部分而造成的利润损失，赫高将不予负责。

服务信息

此款赫高设备的保修期为自购买之日起 1 年内或赫高发货之日起 18 个月内，以先发生的日期为准。

如果此设备在保修期内出现问题，请进行以下操作：

联系本地 Hatco 经销商

当联系 Hatco 经销商提供服务帮助时，请将以下信息提供给经销商，以确保得到及时处理：

- 设备型号
- 序列号（位于设备上）
- 设备的具体问题
- 购买日期
- 企业名称
- 发运地址
- 联系人姓名和电话号码

Hatco 经销商会为您：

- 提供所需要的更换零部件
- 向 Hatco 提出质保索赔以供处理

非质保期故障

如果您的设备在非质保期内出现故障需要提供帮助，请联系就近的HATCO授权服务机构。

查找就近的HATCO授权服务机构：

- 打(0512) 6732-5091电话联系HATCO服务部门。
- 发邮件到infocn@hatcocorp.com联系HATCO服务部门。

Register your unit online!

See IMPORTANT OWNER INFORMATION section for details.

HATCO CORPORATION
P.O. Box 340500
Milwaukee, WI 53234-0500 U.S.A.
Telephone 414-671-6350
partsandservice@hatcocorp.com
www.hatcocorp.com

HATCO CORPORATION
ASIA HEADQUARTERS
Unit 101, Premier Center, 20 Cheung Shun Street
Cheung Sha Wan, Kowloon, H.K.
Telephone (852) 2991-4121
hongkong@hatcocorp.com